

### Receiver

### From

Society  
Reference  
Address  
Phone  
Fax  
E-mail

#### Item n° :

#### Model :

3 ESYBOX MAX 60/120 T

#### Pump data

Pressure rating : 11,84 atm  
Constant pressure range : 0,986911,84 atm (2,961atm by default)  
Min. fluid temperature : 0 °C  
Max. fluid temperature : 50 °C  
Max. Ambient temperature : 55 °C

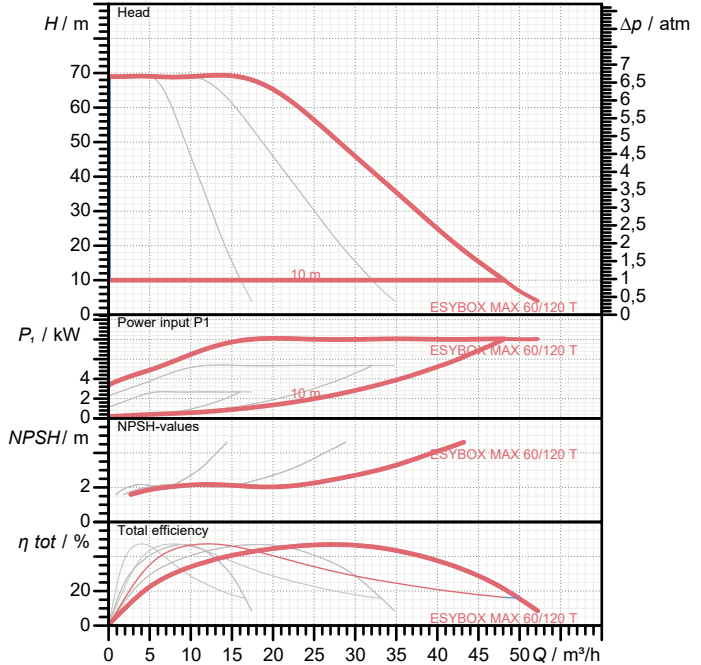
#### Requested data

Flow :  
Head :  
Fluid : Water  
Fluid Temperature : 20 °C  
Density : 998,3 kg/m<sup>3</sup>  
Kinematic viscosity : 1,005 mm<sup>2</sup>/s  
Vapor pressure : 0,02 atm

#### Materials

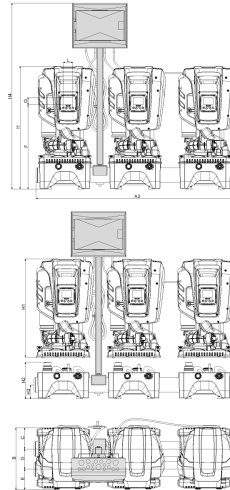
Fitting : Technopolymer PA66 30%GF  
Manifold : Stainless Steel AISI 304  
Flange : Technopolymer PA66 30%GF  
Pump body : Technopolymer PA66 30%GF  
Pump body ring : Technopolymer PP 30%GF  
Impeller : Technopolymer PP 30%GF/AISI 304  
Diffuser : Technopolymer PP 30%GF/AISI 304  
Motor axis : Stainless Steel AISI 303  
OR ring : EPDM  
Motor flange : Technopolymer PA66 30%GF  
Mechanical seal : Impregnated carbon-resin/Silicon carbide/EPDM  
Motor liner : Stainless Steel AISI 304  
Motor body : Technopolymer PA66 30%GF  
Conveyor tube : Technopolymer PP 30%GF  
Pressure sensor : Nylon/EPDM  
Non-return valve : POM/EPDM/AISI 302  
Non-return valve body : Technopolymer PA66 30%GF  
Tank : Noryl/Rubber  
Delivery body : Technopolymer PA66 30%GF  
Outer liner : Stainless Steel AISI 304

#### Curve tolerance according to ISO 9906



#### Hydraulic data (duty point)

Flow :  
Head :



\*Without the pillar kit and panel, do not consider the H4

#### Dimensions in mm

A2	1,250	E	127,7	H3	87		
B	384	F	526	H4	1.158		
C	131,8	G	45	L	59,5		
D	124,5	H	766				
DNA	2"	H1	613				
DNM	2"	H2	228				

Weight : 114 kg

#### Pump connection

Suction side : 2" G / 11,84 atm  
Discharge side : 2" G / 11,84 atm

#### Motor data

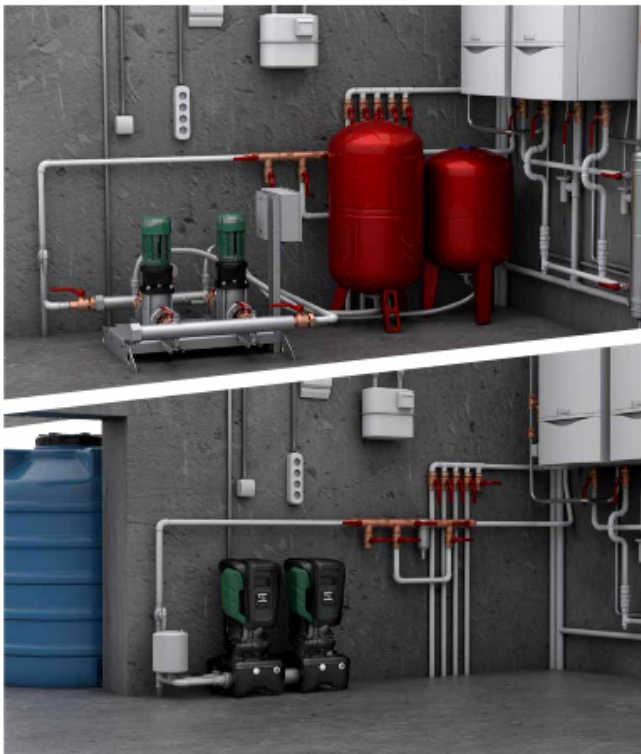
Power input P<sub>1</sub> : 3 x 2,65 kW  
Maximum speed : 5.240 1/min  
Rated voltage : 3~ 380-460 V 50 Hz  
Nominal current : 3 x 4,2 A  
Degree of protection : IP X5

# ENERGY SAVING

BEFORE

AFTER

- **20%**  
Compared with  
traditional inverter pump



**D+CONNECT**  
BUILT-IN



As quick as a "click"





# PERFORMANCE CURVES

2022-10-10

Page 3 / 4

DAB PUMPS S.p.A.  
Via Marco Polo, 14 - 35035 Mestrino (PD), Italy  
Tel. +39 049 5125000 - Fax +39 049 5125950  
www.dabpumps.com

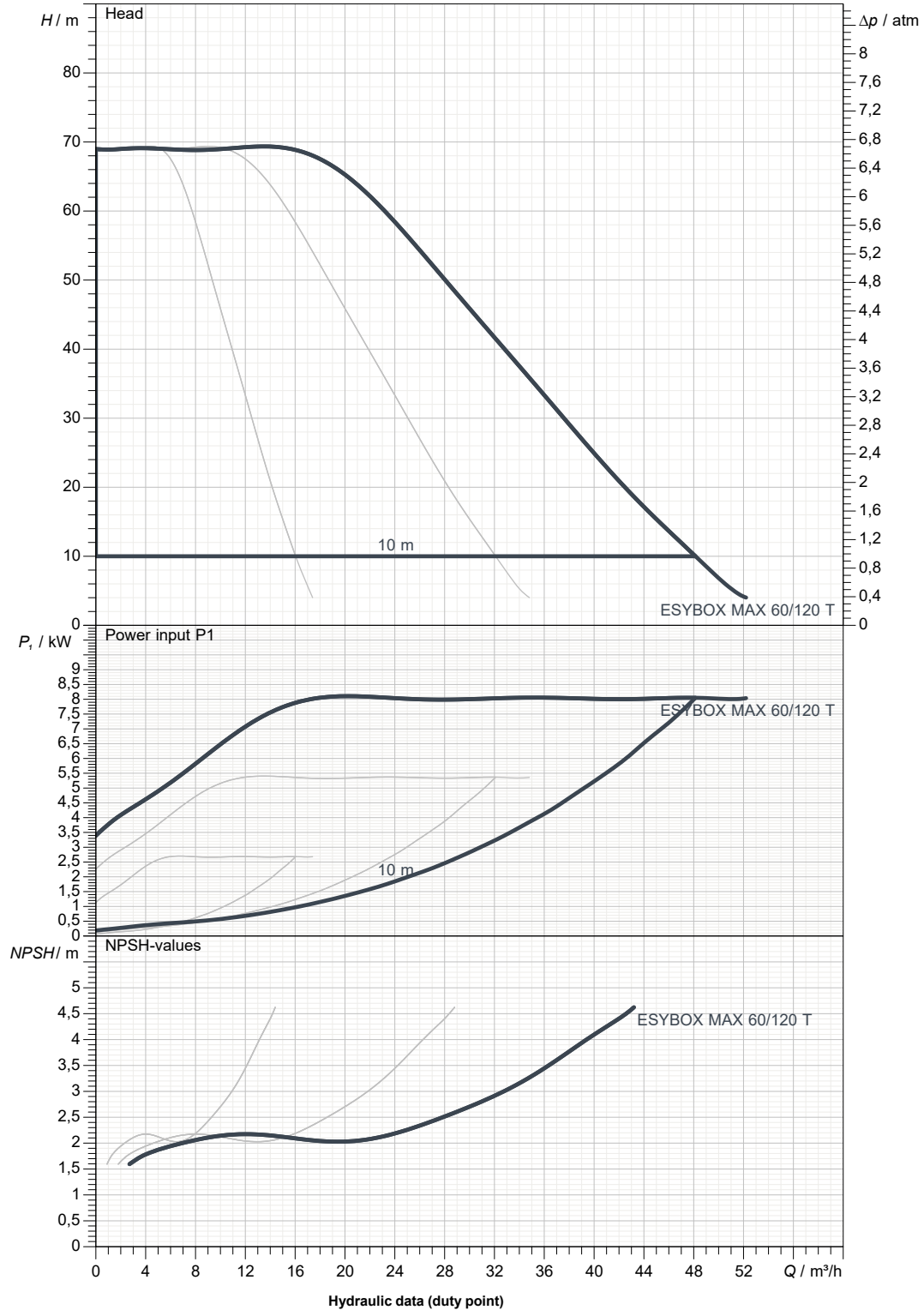
Receiver

From

Society  
Reference  
Address  
Phone  
Fax  
E-mail

## 3 ESYBOX MAX 60/120 T

Curve tolerance according to ISO 9906



Suction side :  
2" G  
11,84 atm

Discharge side :  
2" G  
11,84 atm

Flow :

Head :

Rated speed :  
5.240 1/min

MAIN\_PROJECT\_TITLE

BUSINESS\_PROCESS\_ID

OWNER\_

ISSUE\_DATE  
2022-10-10



# DIMENSIONAL DRAWING

2022-10-10

Page 4 / 4

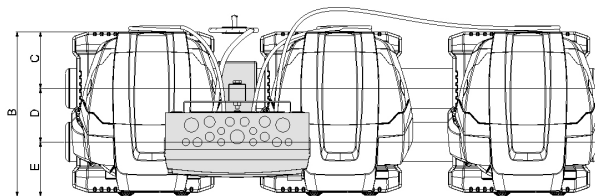
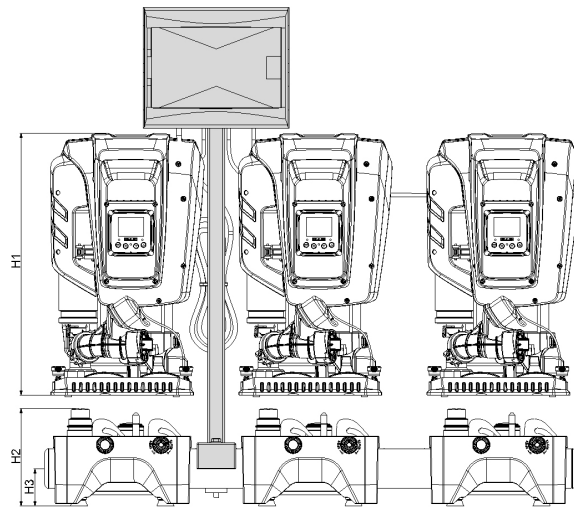
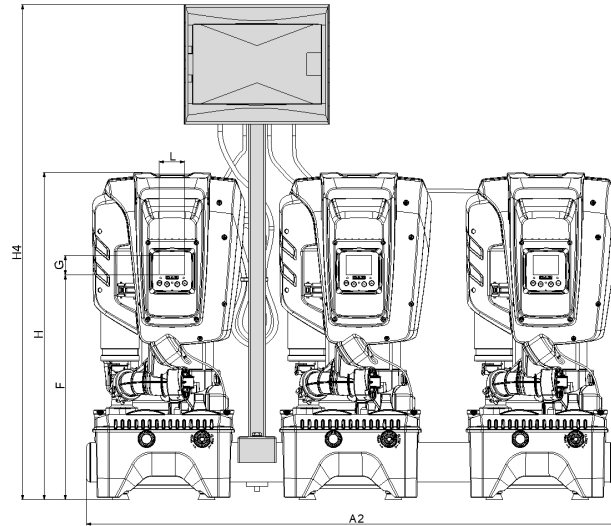
DAB PUMPS S.p.A.  
Via Marco Polo, 14 - 35035 Mestrino (PD), Italy  
Tel. +39 049 5125000 - Fax +39 049 5125950  
www.dabpumps.com

Receiver

From

Society  
Reference  
Address  
Phone  
Fax  
E-mail

## 3 ESYBOX MAX 60/120 T



\*Without the pillar kit and panel, do not consider the H4

Dimensions in mm						Pump connection
1	A2	1.250	H3	87		Suction 2" G 12 bar (1200 KPa)  Discharge 2" G 12 bar (1200 KPa)
2	B	384	H4	1.158		
3	C	131,8	L	59,5		
4	D	124,5				
5	DNA	2"				
6	DNM	2"				
7	E	127,7				
8	F	526				
9	G	45				
10	H	766				
11	H1	613				
12	H2	228				

MAIN_PROJECT_TITLE	BUSINESS_PROCESS_ID	OWNER	ISSUE_DATE 2022-10-10
--------------------	---------------------	-------	--------------------------